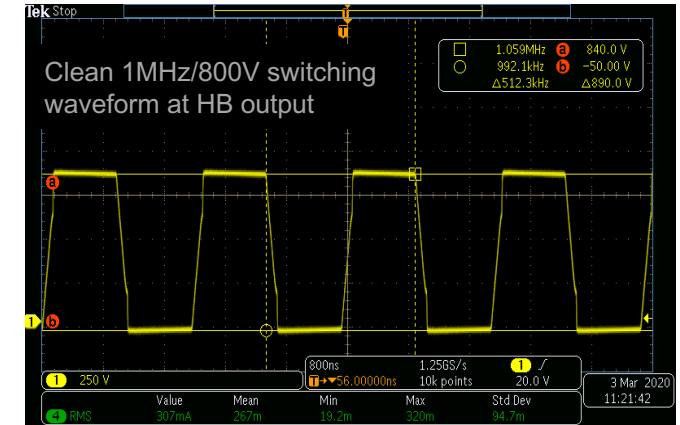
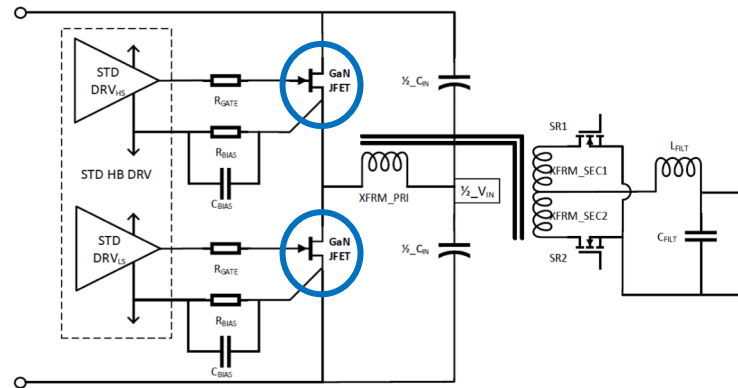
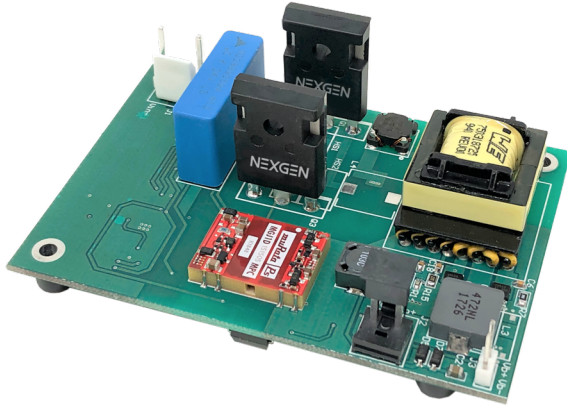


# 1 MHz Half Bridge Isolated Buck Converter 800V to 14V, 100W



## Unique Features

- Industry leading 1MHz switching frequency of an 800V input rail
- Vertical GaN™ Power eJFET 1200V Breakdown Voltage
- Small design on 60x85.5 mm<sup>2</sup> board
- Standard high frequency PWM controller and standard MOSFET isolated gate driver
- Voltage Mode Control
- Self driven Synchronous Rectifier
- Except for NexGen GaN devices, only standard components required

## Key Performance Data

- Quasi Resonant Switching
- Full load efficiency 90%
- <0.06% load regulation
- Vertical GaN™ switching loss advantage